



T25C

T27C

Description

The T25C and T27C manual valves are designed with a particular focus on the aesthetics of the product, with rounded forms and brilliant chrome plating on the components.

Their principal use is in heating systems for toweldryers and heated towel rails, and wherever a particular look is desired.

When fitting, the T25C and T27C manual valves can be co-ordinated with the T29C and T31C brilliant chrome lockshield valves, which intercept and balance the circuits, leaving the manual valve with the sole task of intercepting the flow when the user does not wish to heat the toweldryer.

Versions and product codes

Product code	Connections	Type	Corresponding lockshield valve
T25CX003	1/2" x 16	angled	T29CX003
T27CX003	1/2" x 16	straight	T31CX003

Additional accessories

For connection to the pipe use adaptors T178C and T179M.

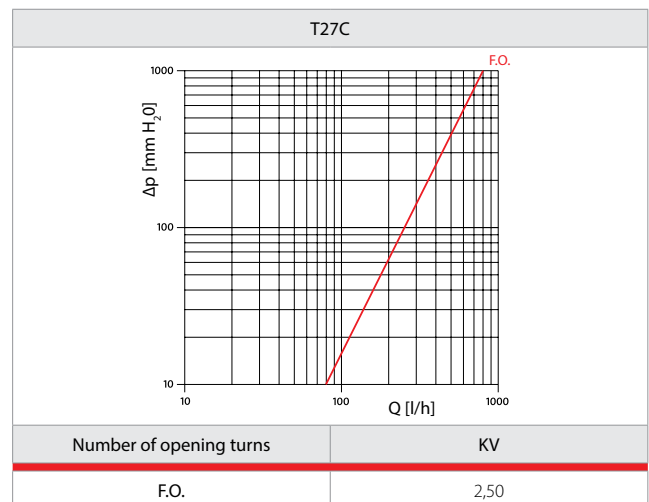
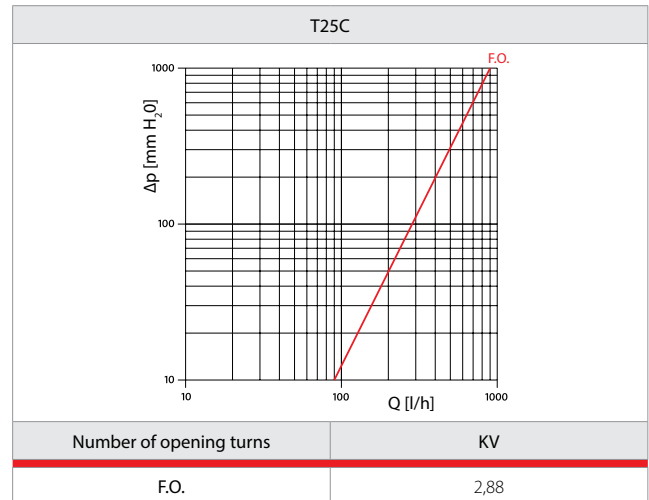
Technical data

- Temperature range: 5÷110 °C
- Max. working pressure: 16 bar

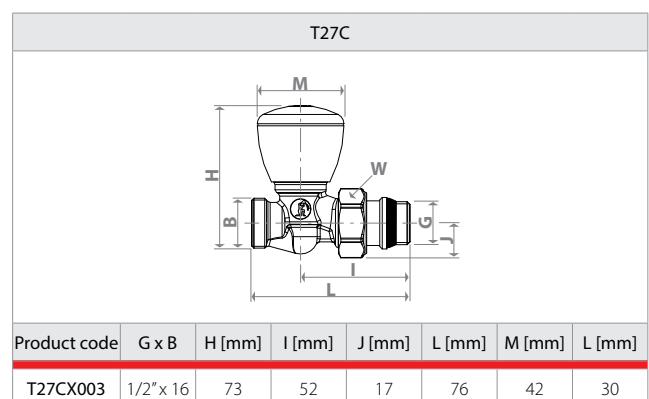
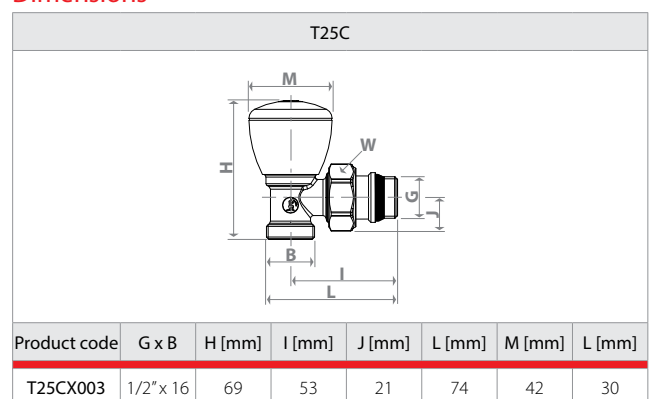
Materials

- Body and components: brass UNI EN 12165 CW617N, with brilliant chrome plating
- Integrated command stem: brass UNI EN 12164 CW614N
- Seal on command stem with O-ring: EPDM
- Handwheel: Chrome-plated ABS
- Self-sealing tail piece: EPDM

Losses of pressure



Dimensions





Product specifications

T25C

Easy-adjust angled manual valve for toweldryer, brilliant chrome-plating, with connection for adaptor for copper / plastic / multilayer pipe. Body in brass UNI EN 12165 CW617N. Handwheel for manual command in ABS with brilliant chrome-plating. Integrated command stem in brass UNI EN 12164 CW614N. Seal on command stem with O-ring in EPDM. Temperature range 5÷110 °C. Max. working pressure 16 bar. 1/2" M radiator connection with self-sealing tail piece in EPDM and connection for T178C and T179M adaptors.

T27C

Easy-adjust straight manual valve for toweldryer, brilliant chrome-plating, with connection for adaptor for copper / plastic / multilayer pipe. Body in brass UNI EN 12165 CW617N. Handwheel for manual command in ABS with brilliant chrome-plating. Integrated command stem in brass UNI EN 12164 CW614N. Seal on command stem with O-ring in EPDM. Temperature range 5÷110 °C. Max. working pressure 16 bar. 1/2" M radiator connection with self-sealing tail piece in EPDM and connection for T178C and T179M adaptors.

Additional information

For additional information please check the website www.giacomini.com or contact the technical service: ☎ +39 0322 923372 📠 +39 0322 923255 ✉ consulenza.prodotti@giacomini.com
This pamphlet is merely for information purposes. Giacomini S.p.A. retains the right to make modifications for technical or commercial reasons, without prior notice, to the items described in this pamphlet. The information described in this technical pamphlet does not exempt the user from following carefully the existing regulations and norms on good workmanship.
Giacomini S.p.A. Via per Alzo, 39 - 28017 San Maurizio d'Opaglio (NO) Italy